



A Crane Co. Company

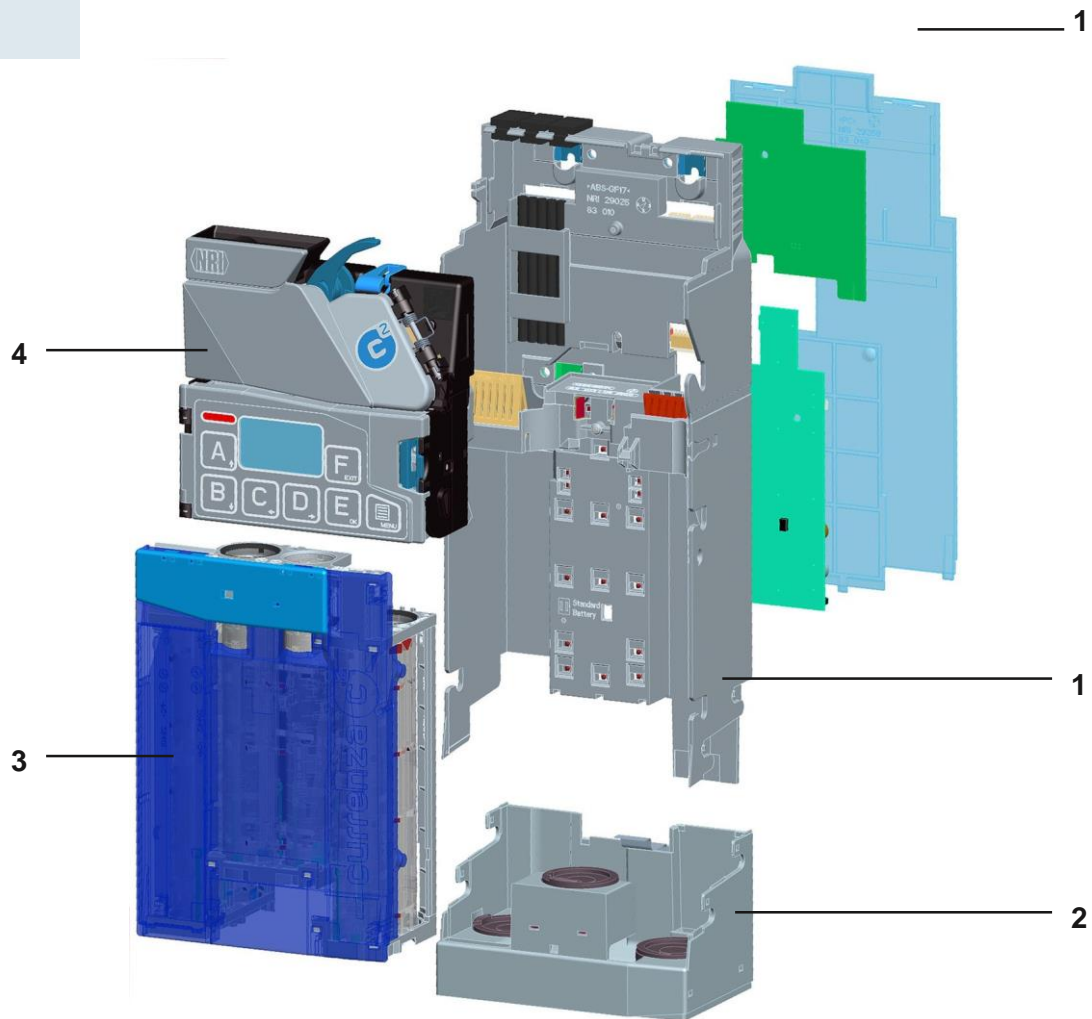
Technical Documentation



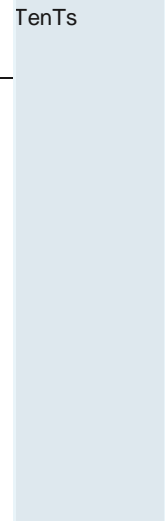
Coin changer

currenza 
Spare parts list

Assembly overview



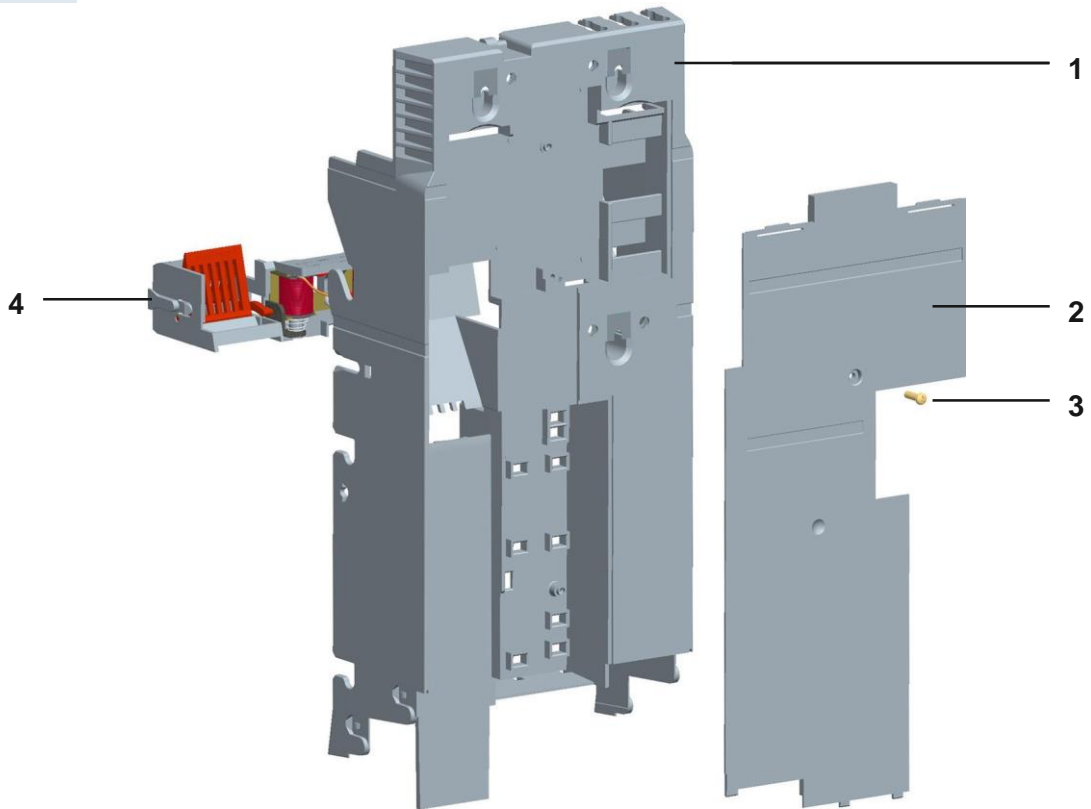
Pos. #	Assembly
1	Housing
2	Payout module
3	Coin cassette
4	Coin validator



1 Table of contents

Assembly overview	2
1 Assembly – Housing	4
2 Assembly – Interface & audit modules	6
3 Assembly – Payout module	8
4 Assembly – Coin cassette	10
5 Assembly – Coin validator	12

2 Assembly – Housing



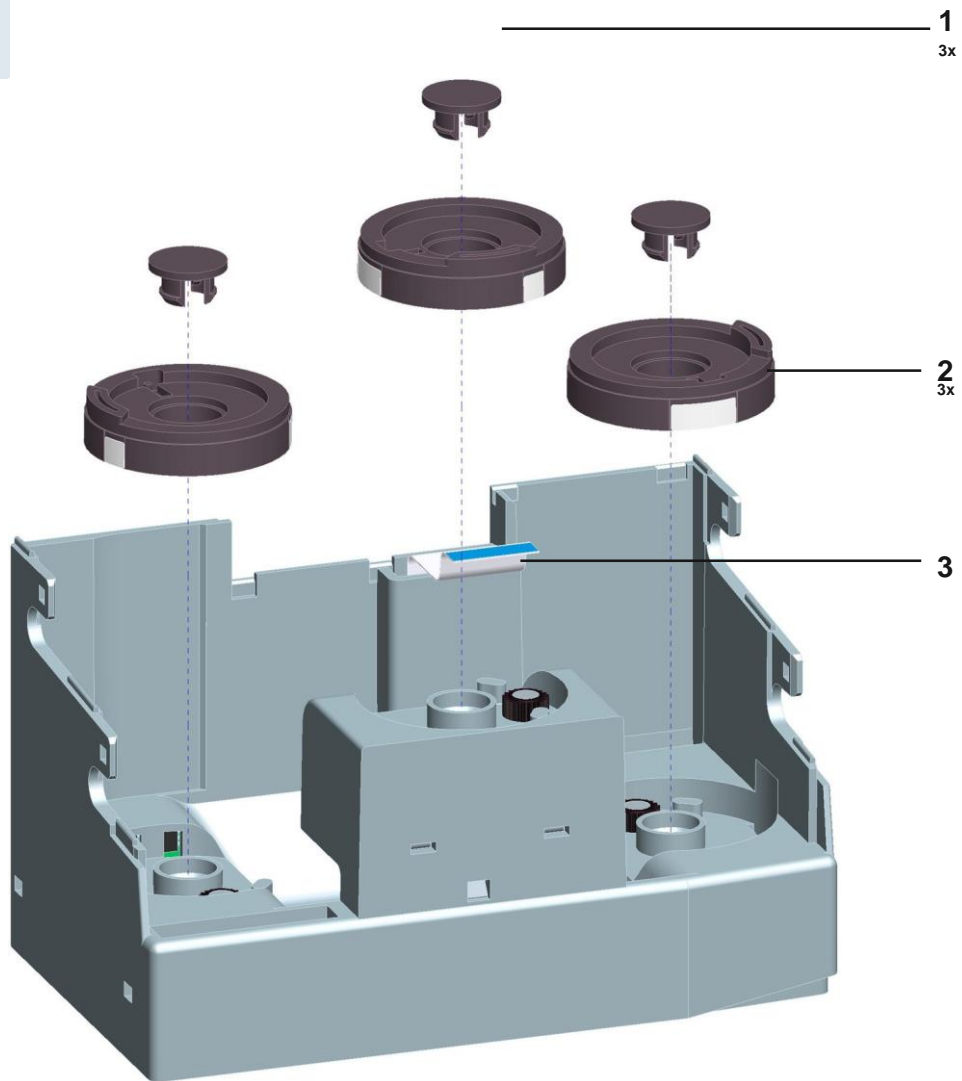
c² Spare parts list

Housing

Item	Order no.	Part designation
1	29026	Housing
2	29258	Housing cover
3	1360	Oval cross-headed screw, self-tapping P3x8
4	29042	Bottom sorting module

3

Assembly – Payout module



c² Spare parts list

PAYouT module

Item	Order no.	Part designation
1	28756	Locking for payout disc
2a	30615	Payout disc – standard (for tubes with i.d. = 17–30mm)
2b	32040	– for tubes with i.d. = 33 mm
3	29821	16-pole Flex Jumper
	31703	Payout module cpl. – for tubes with i.d. = 17–30mm (standard)
	32041	– for tubes with i.d. = 33mm

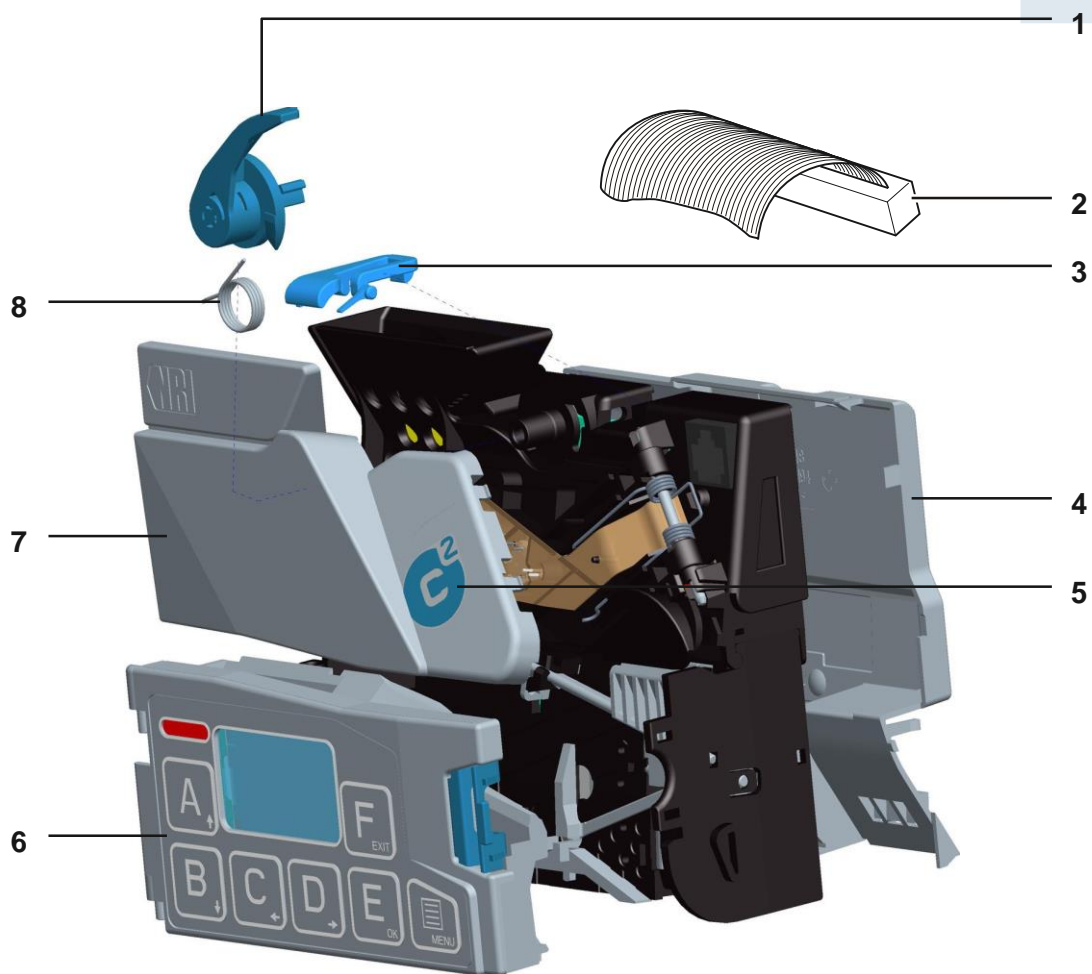
4

Assembly – coin cassette



Coin cassette cpl., order no. depends on payout combination.
Please contact our Sales staff.

5 Assembly – Coin validator



Item	Order no.	Part designation
------	-----------	------------------

1	29151	Coin return lever
2	30510	Connecting cable, coin validator – interface module
3	29154	Latch
4a	29194	Rear cover – standard
4b	31819	– with magnet for c ² security
5a	30728	c ² label – blue
5b	30729	– green
5c	30730	– white
5d	30731	– orange
5e	32171	– silver
6a	30082	Sorter cover / user interface – blue
6b	30442	– blue & IrDA
6c	30932	– blue, moisture-proof
6d	30983	– blue & IrDA, moisture-proof
6e	30081	– green
6f	31686	– green & IrDA
6g	30992	– green, moisture-proof
6h	30080	– white
6i	30437	– orange
6j	30915	– orange, moisture-proof
6k	32338	– silver
7	29157	Cover for flight deck
8	29152	Spring for coin return lever

1–8 Coin validator cpl., order no. depends on currency/coin acceptance. Please contact our sales staff.

c² Spare parts list



When ordering spare parts, always indicate the complete model number of your device and the correct order number and

designation of the spare part you require.

In addition, please observe the following:

This spare parts list corresponds to the NRI development status at the time of publication. NRI is not obliged to announce further developments or modifications or carry out similar modifications on already delivered devices. NRI reserves the right to stop the manufacturing of devices at its own discretion.

Availability of spare parts: max. 5 years after the model has been discontinued.