



HOSHIZAKI

DCM-60KE / DCM-120KE ICE/WATER DISPENSERS

Product Description

The DCM-60KE and DCM-120KE are ice/water dispensers which can produce the following combinations: cubelet ice, cubelet ice and water or dispense only water. The ice/water dispensing system can be used for multiple environments including food and beverage, leisure and healthcare.



- Portion control can be easily set, making it easy to regulate the consumption of ice among end-users, reducing energy consumption and waste.
- Hoshizaki ice dispensers are more compact with reduced space requirements and in line with modern interiors.
- Ice dispensing system includes lever and LED operation buttons, easy and simple to use, therefore ideal for self-serving environment.
- New lever design prevents touching the lip of a glass, minimising risk of bacterial transfer.

Available Models

DCM-60KE (Air Cooled)
DCM-120KE (Air Cooled)

Ice

Model	Shape
DCM-60KE	Cubelet (Compressed Flake Ice)
DCM-120KE	Cubelet (Compressed Flake Ice)



Bins

Model	Type of Bin	Bin Capacity
DCM-60KE	Self contained	Approx. 1.9 kg
DCM-120KE		Approx. 4.0 kg

Production

Model	Ice Production per 24h	Temperature	Ice Dispensing Rate per 30min / 1h (40g/cup)	Water Consumption per 24h
DCM-60KE	Approx. 60 kg	AT.10°C, WT.10°C	78 / 110 cups	Approx. 0,060m ³
	Approx. 50 kg	AT.21°C, WT.15°C	73 / 99 cups	Approx. 0,050m ³
	Approx. 38 kg	AT.32°C, WT.21°C	67 / 87 cups	Approx. 0,038m ³
DCM-120KE	Approx. 125 kg	AT.10°C, WT.10°C	165 / 230 cups	Approx. 0,125m ³
	Approx. 105 kg	AT.21°C, WT.15°C	154 / 209 cups	Approx. 0,105m ³
	Approx. 85 kg	AT.32°C, WT.21°C	144 / 188 cups	Approx. 0,085m ³

Two year warranty

For more information visit our website at www.hoshizaki-europe.com
Hoshizaki Europe B.V. retains the right to change products and their specifications without prior notice.

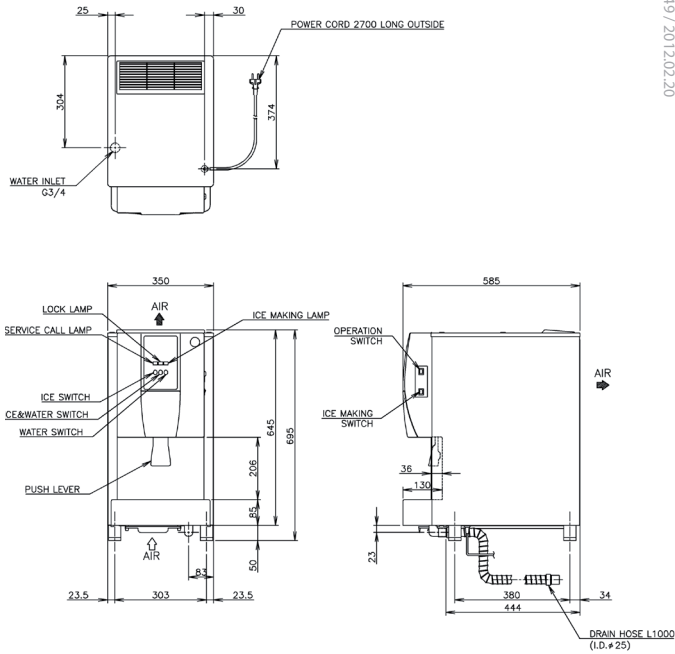




HOSHIZAKI

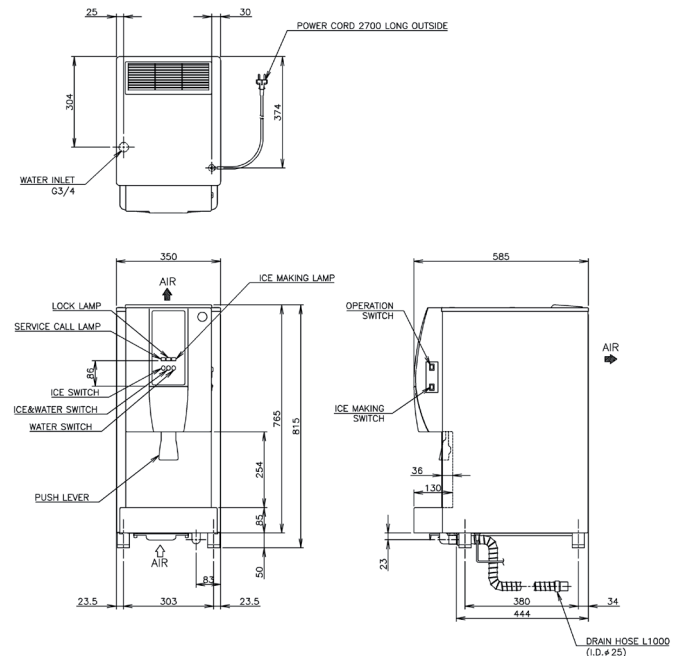
DCM-60KE / DCM-120KE ICE/WATER DISPENSERS

DCM-60KE



D11049 / 2012.02.20

DCM-120KE



D11052 / 2012.02.20

Specification	DCM-60KE	DCM-120KE
Power Supply	1 Phase 220-240 / 50Hz Capacity: 0.60 kVA (2.6A)	1 Phase 220-240 / 50 Hz Capacity: 0.84 kVA (3.7A)
Amperage (AT.32°C, WT.21°C)	1.5A Starting: 9.5A	2.8 A Starting: 12.6A
Electric Consumption	280W (Power Factor: 81%)	480 (Power Factor: 74%)
Exterior	Stainless Steel (Side, Rear) ABS Molding (Front, Top, Drain Pan)	Stainless Steel (Side, Rear) ABS Molding (Front, Top, Drain Pan)
Insulation Foam / Blowing Agent	HFC-245fa, 365mfc	HFC-245fa, 365mfc
Connection - Electric	Y-Type Connection	Y-Type Connection
Connection - Water Supply	Direct Connection to Water Main, Inlet G3/4"(Bottom)	Direct Connection to Water Main, Inlet G3/4"(Bottom)
Connection - Drain	Drain Hose, I.D. ø 25mm (Bottom)	Drain Hose, I.D. ø 25mm (Bottom)
Ice Making System	Thin ice forming inside Cylinder	Thin ice forming inside Cylinder
Ice Dispensing System	Push Lever and Solenoid (with Select Switch) Portion control by Dispense Switch	Push Lever and Solenoid (with Select Switch) Portion control by Dispense Switch
Compressor	Hermetic	Hermetic
Condenser	Fin and Tube type, Air-cooled	Fin and Tube type, Air-cooled
Heat Rejection (AT.32°C, WT.21°C)	460 W	980 W
Refrigerant	R134a	R134a
Evaporator	Tube coiled around Cylinder (Solder Plated)	Tube coiled around Cylinder (Solder Plated)
Ice Making Water Control	Float Switch and Water Valve	Float Switch and Water Valve
Water Dispensing System	Push Lever and Water Valve (with Select Switch)	Push Lever and Water Valve (with Select Switch)
Electrical Circuit Protection	10A Circuit Breaker	10A Circuit Breaker
Refrigerant Circuit Protection	Compressor Internal Thermostat Condensing Temperature detected by Thermistor (Auto-reset)	Compressor Internal Thermostat Condensing Temperature detected by Thermistor (Auto-reset)
Interlock	Shutdown by Microprocessor (Manual-reset)	Shutdown by Microprocessor (Manual-reset)
Dimensions Product excl. Packaging	350 x 585 x 695-710 (W x D x H, mm)	350 x 585 x 815-830 (W x D x H, mm)
Dimensions Product incl. Packaging	440 x 655 x 931 (W x D x H, mm)	440 x 655 x 1051 (W x D x H, mm)
Weight Gross / Net	56 kg / 47 kg	66 kg / 57 kg

Operation Conditions	
Ambient Temperature	5 - 40°C
Water Supply Temperature	5 - 35°C
Water Supply Pressure	0,05-0,78MPa
Voltage Range	Rated Voltage ± 6%

Accessories
Installation Kit
Brush

For more information please contact your local sales office:

Hoshizaki Belgium:
Hoshizaki Deutschland:
Hoshizaki France:
Hoshizaki Iberia:
Hoshizaki Middle East:

info@hoshizaki.be
info@hoshizaki.de
info@hoshizaki.fr
info@hoshizaki.es
sales@hoshizaki.ae

Hoshizaki Nederland:
Hoshizaki United Kingdom:
Other countries:

sales@hoshizaki.nl
uksales@hoshizaki.co.uk
sales@hoshizaki.nl

www.hoshizaki-europe.com